

ARTIKAL  
Item

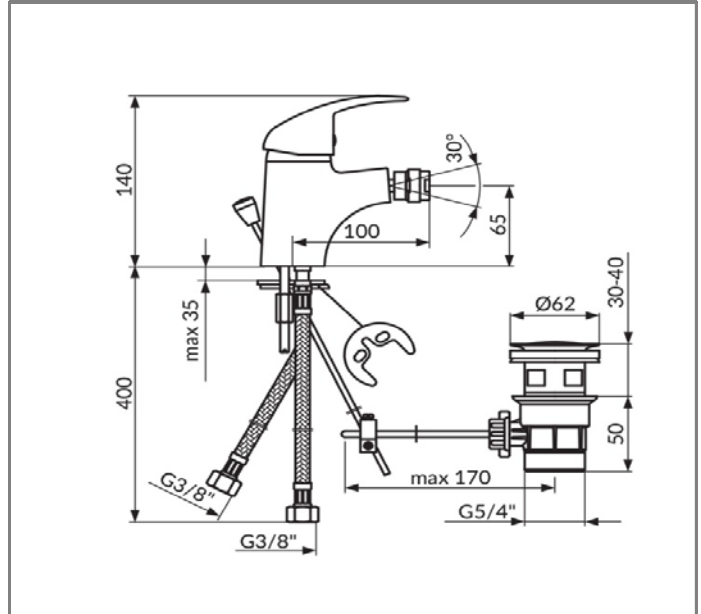
# J391001M

Baterija za bide sa metalnim odlivnim ventilom  
**Bidet mixer with brass pop-up waste**

## SLIKA PROIZVODA Product picture



## TEHNIČKA SKICA Technical draft



## TEHNIČKI PODACI

Jednoručna baterija  
Montiranje na jedan otvor  
Klasa protoka Z - 7 lit/min  
NEOPERL® PERLATOR® HONEYCOMB  
Keramički mešač KEROX® 40 HWS  
INOX set za pričvršćenje  
IMQ sertifikovana fleksibilna priključna creva  
Klasa bučnosti I  
Metalni odlivni ventil 1 1/4"

## TECHNICAL DETAILS

Single lever mixer  
Single hole mounted  
Flow class Z - 7 lit/min  
Aerator NEOPERL® PERLATOR® HONEYCOMB  
Ceramic cartridge KEROX® 40 HWS  
Stainless Steel rapid instalation set  
IMQ certified flexible connection hoses  
Noise level I  
Brass pop-up waste 1 1/4"

## RADNI USLOVI

Maksimalni radni pritisak: 5 bar  
Preporučeni radni pritisak: 3 bar  
Minimalni radni pritisak: 1 bar  
Maksimalna dozvoljena temperatura: 80°C  
Preporučena temperatura vode: 60°C

## WORKING CONDITIONS

Max. working pressure : 5 bar  
Suggested working pressure : 3 bar  
Min. working pressure : 1 bar  
Max. working temperature : 80°C  
Suggested max. water temperature : 60°C

[www.rosan.rs](http://www.rosan.rs)

Srbija, 24420 Kanjiža, Dušana Popovića 10.

tel.+381 24-876-744 fax +381 24-876-756, info@rosan.rs

**KING**