

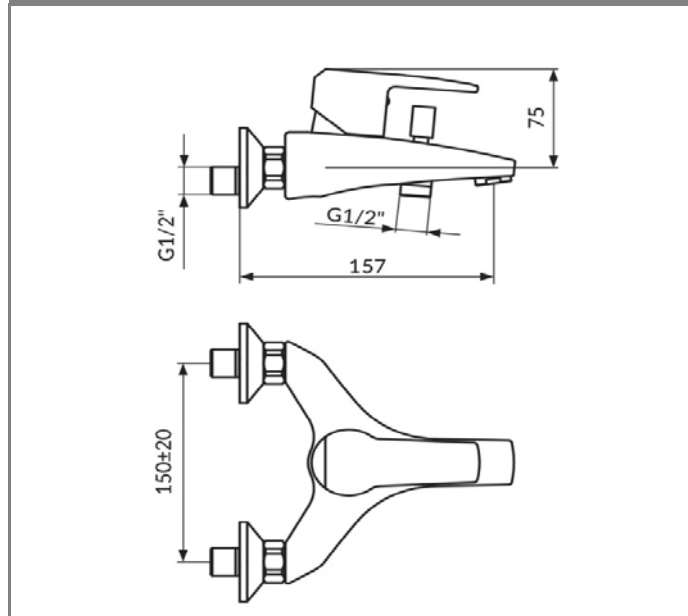
ARTIKAL **JC33101**
Item

Baterija za kadu sa ručnim tušem
Bath mixer with shower set

SLIKA PROIZVODA
Product picture



TEHNIČKA SKICA
Technical draft



TEHNIČKI PODACI

Jednoručna baterija
Zidna montaža
Klasa protoka C - na izlivu
Regulacija protoka do 5 lit/min na tušu
NEOPERL® PERLATOR® CASCADE® SLC
Keramički mešač KEROX® 35 HWS
Automatski prebacivač NEOPERL® HYBRID
Duplo pleteno tuš crevo 1.5m
Easy Clean tuš ručica
Heavy Duty ekscentar kolena
Hromirane rozete
Klasa bučnosti II

RADNI USLOVI

Maksimalni radni pritisak: 5 bar
Preporučeni radni pritisak: 3 bar
Minimalni radni pritisak: 1 bar
Maksimalna dozvoljena temperatura: 80°C
Preporučena temperatura vode: 60°C

TECHNICAL DETAILS

Single lever mixer
Wall mounted
Flow class C - on spout
Flow regulation on shower up to 5 lit/min
Aerator NEOPERL® PERLATOR® CASCADE® SLC
Ceramic cartridge KEROX® 35 HWS
Automatic diverter NEOPERL® HYBRID
Double lock shower hose 1.5m
Easy Clean hand shower
Heavy Duty eccentric connectors
Chromed rossete
Noise level II

WORKING CONDITIONS

Max. working pressure : 5 bar
Suggested working pressure : 3 bar
Min. working pressure : 1 bar
Max. working temperature : 80°C
Suggested max. water temperature : 60°C

www.rosan.rs

Srbija, 24420 Kanjiža, Dušana Popovića 10.

tel.+381 24-876-744 fax +381 24-876-756, info@rosan.rs

CUBO3