

ARTIKAL

**131201**

Item

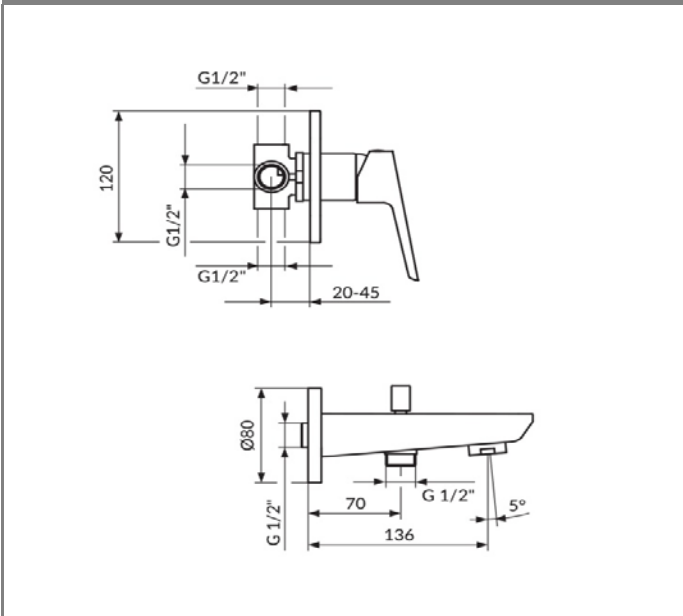
UZIDNA BATERIJA

concealed mixer

SLIKA PROIZVODA  
Product picture



TEHNIČKA SKICA  
Technical draft



TEHNIČKI PODACI

Jednoručna baterija  
Uzidna montaža  
Masivna konstrukcija  
Keramički mešač KEROX® 35 HWS  
Automatski prebacivač NEOPERL® Hybrid  
NEOPERL® PERLATOR® HONEYCOMB®  
Easy Clean STOLZ tuš ručica  
Tuš crevo 150cm duplo pleteno STOLZ  
Klasa bučnosti II

TECHNICAL DETAILS

Single lever mixer  
Built-in the wall  
Solid construction  
Ceramic cartridge KEROX® 35 HWS  
Automatic diverter NEOPERL® Hybrid  
Aerator NEOPERL® PERLATOR® HONEYCOMB®  
Easy Clean STOLZ hand shower  
STOLZ double locked shower hose 150cm  
Noise level II

RADNI USLOVI

Maksimalni radni pritisak: 5 bar  
Preporučeni radni pritisak: 3 bar  
Minimalni radni pritisak: 1 bar  
Maksimalna dozvoljena temperatura: 80°C  
Preporučena temperatura vode: 60°C

WORKING CONDITIONS

Max. working pressure : 5 bar  
Suggested working pressure : 3 bar  
Min. working pressure : 1 bar  
Max. working temperature : 80°C  
Suggested max. water temperature : 60°C

[www.rosan.rs](http://www.rosan.rs)

Srbija, 24420 Kanjiža, Dušana Popovića 10.

tel.+381 24-876-744 fax +381 24-876-756, info@rosan.rs

**STOLZ**